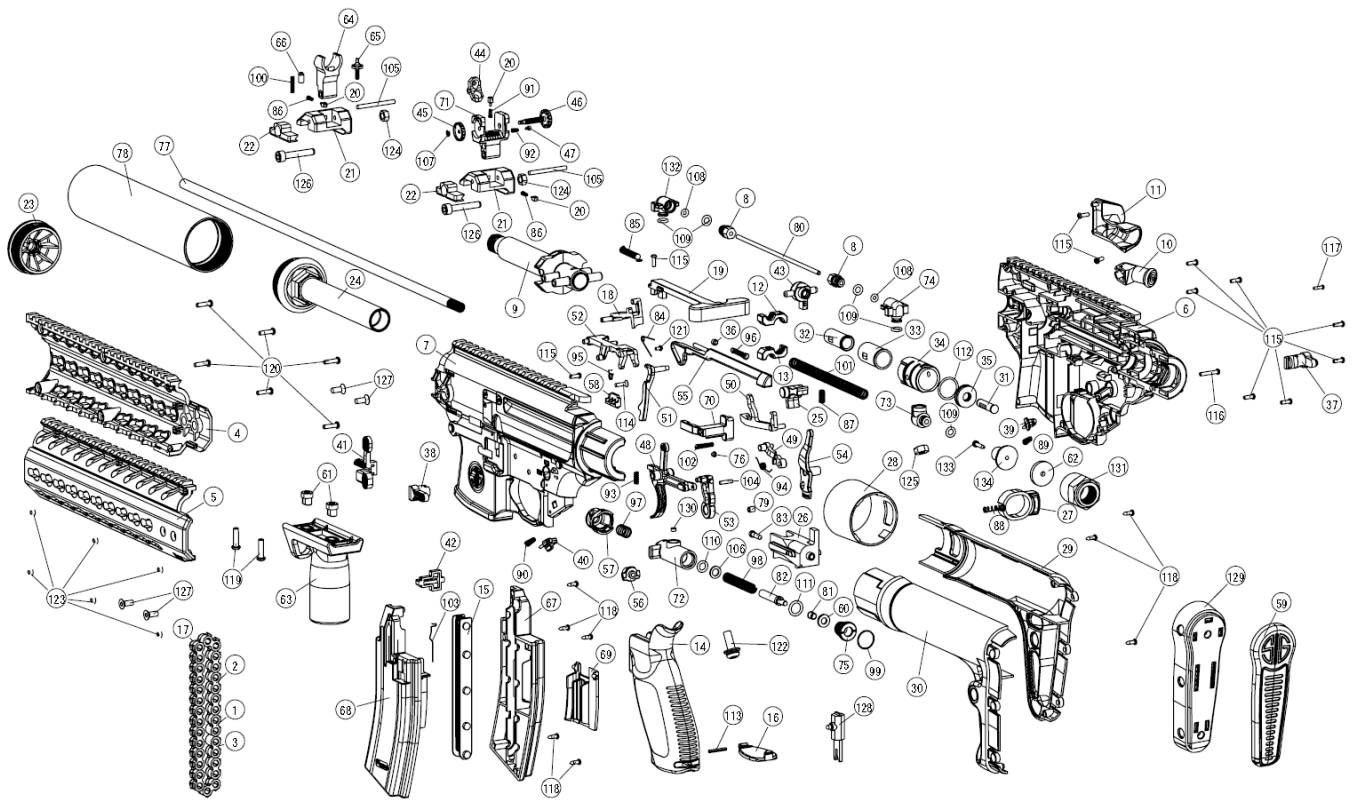


MCX Exploded diagram



No.	Name of Parts	No.	Name of Parts	No.	Name of Parts	No.	Name of Parts
1	Clip End (for .177cal)	35	Spring Guide Base	69	Magazine Cover	103	Latch Spring
2	Clip Piece (for .177cal)	36	Spring Base	70	Magazine Catch	104	Knurling Pin ϕ 2.5x11
3	Clip Head (for .177cal)	37	Safety Lever Right	71	Rear Sight	105	Knurling Pin ϕ 3x34
4	Hand Guard Right	38	Safety Lever Left	72	Valve Body	106	Valve Washer
5	Hand Guard Left	39	Safety Click Right	73	Valve Joint A	107	E-ring ETW2
6	Receiver Right	40	Safety Click Left	74	Valve Joint B	108	O-ring P3 1A
7	Receiver Left	41	Dummy Bolt Release	75	Valve Rear Cap	109	O-ring P5 1A
8	O-ring Holder	42	Caliber Indicator	76	Red Dot	110	O-ring P6 Urethane
9	Outer Barrel	43	Chamber (for .177cal)	77	Inner Barrel (for .177cal)	111	O-ring P9 1A
10	Assist Knob	44	Dioptr	78	Silencer Body	112	O-ring S16 1A
11	Assist Knob Base	45	Dioptr Dial Left	79	Trigger Roller (for .177cal)	113	Spring Pin 2x16
12	Inner Barrel Nut A	46	Dioptr Dial Right	80	Pipe ϕ 3x0.5x130	114	2.6x10 Screw
13	Inner Barrel Nut B	47	Dioptr Dial Click	81	Valve Packing Holder	115	2.6x8 Screw
14	Grip	48	Trigger	82	Valve Pin	116	2.6x16 Screw
15	Clip Guide	49	Trigger Arm	83	Hit Pin	117	2.0x8 Screw
16	Grip Cap	50	Trigger Bar	84	Clip Stopper Spring	118	2.6x8 Tapping Screw
17	Clip Joint	51	Nail	85	Cocking Handle Spring	119	M4x12 Screw
18	Clip Stopper	52	Nail Arm	86	Sight Plunger Spring	120	M3x12 Screw
19	Cocking Handle	53	Nail Bar A	87	Sear Spring	121	2.0x4 Screw
20	Sight Plunger	54	Nail Bar B	88	Stock Catch Spring	122	M6x18 Screw
21	Sight Base Right	55	Nail Bar C	89	Safety Click Right Spring	123	Hexagon Nut M3
22	Sight Base Left	56	Nozzle (for .177cal)	90	Safety Click Left Spring	124	Hexagon Nut M5
23	Silencer Cap (for .177cal)	57	Nozzle Holder	91	Dioptr Click Spring	125	Hexagon Nut M6
24	Silencer Rear	58	Pipe Holder	92	Dioptr Dial Click Spring	126	M5x28 Bolt
25	Sear	59	Butt Pad	93	Trigger Spring	127	M4x10 Bolt
26	Cylinder Block	60	Valve Packing	94	Trigger Bar Spring	128	Sight Adjustment Wrench
27	Stock Catch	61	Hand Guard Nut	95	Nail Spring	129	Butt Plate
28	Stock Cap	62	Pierce Packing	96	Nail Bar C Spring	130	Filter
29	Stock Right	63	Fore Grip	97	Nozzle Spring	131	Puncture Cover
30	Stock Left	64	Front Sight	98	Valve Spring	132	Valve Joint C
31	Spring Guide	65	Post	99	Piston Ring	133	Pierce Pin
32	Spring Guide A	66	Post Click	100	Post Click Spring	134	Pierce Flange
33	Spring Guide B	67	Magazine Outer Right	101	Bolt Return Spring		
34	Spring Guide C	68	Magazine Outer Left	102	Magazine Catch Spring		

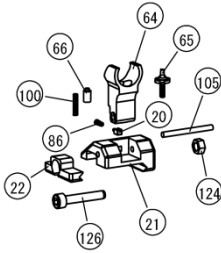
MCX Sub Assembly list

135. Front Sight Assembly

Assembled by

- 20. Sight Plunger
- 21. Sight Base Right
- 25. Sight Base Left
- 64. Front Sight
- 65. Post
- 66. Post Click

- 86. Sight Plunger Spring
- 100. Post Click Spring
- 105. Knurling Pin $\phi 3.0 \times 34$
- 124. Hexagon Nut M5
- 126. M5 x 28 Bolt

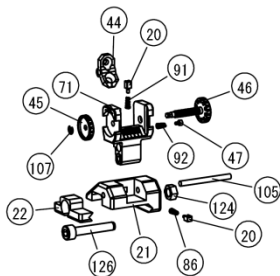


136. Rear Sight Assembly

Assembled by

- 20. Sight Plunger
- 21. Sight Base Right
- 22. Sight Base Left
- 44. Diopter
- 45. Diopter Dial Left
- 46. Diopter Dial Right
- 47. Diopter Dial Click
- 71. Rear Sight

- 86. Sight Plunger Spring
- 91. Diopter Click Spring
- 92. Diopter Dial Click Spring
- 105. Knurling Pin $\phi 3.0 \times 34$
- 107. E-ring ETW2
- 124. Hexagon Nut M5
- 126. M5 x 28 Bolt

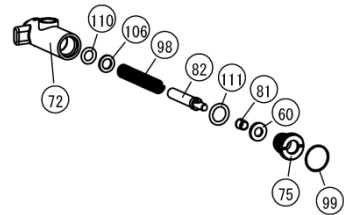


137. Valve Assembly

Assembled by

- 60. Valve Packing
- 72. Valve Body
- 75. Valve Rear Cap
- 81. Valve Packing Holder
- 82. Valve Pin

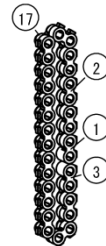
- 98. Valve Spring
- 99. Piston Ring
- 106. Valve Washer
- 110. O-ring P6 urethane
- 111. O-ring P9 1A



138. Clip Assembly (for .177cal)

Assembled by

- 1. Clip End (for .177 Cal.)
- 2. Clip Piece (for .177 Cal.)
- 3. Clip Head (for .177 Cal.)
- 17. Clip Joint



MCX Sub Assembly list

139. Magazine Box Assembly

Assembled by

15. Clip Guide

42. Caliber Indicator

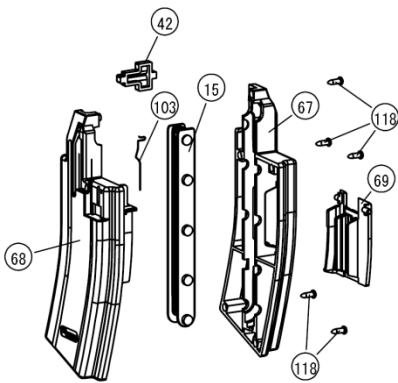
67. Magazine Outer Right

68. Magazine Outer Left

69. Magazine Cover

103. Latch Spring

118. 2.6 x 8 Tapping Screw



140. Stock Assembly

Assembled by

28. Stock Cap

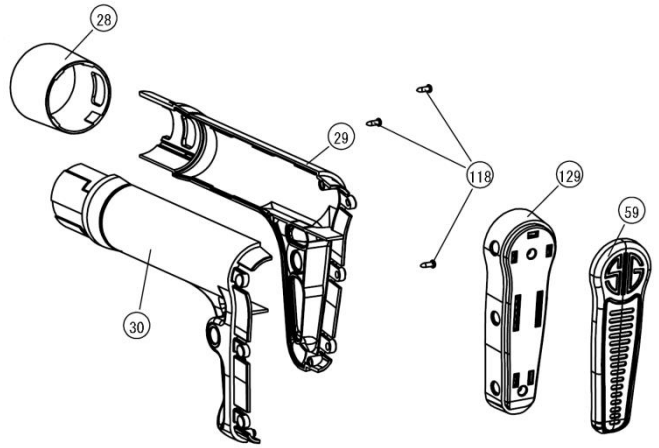
29. Stock Right

30. Stock Left

59. Butt Pad

118. 2.6 x 8 Tapping Screw

129. Butt Plate



141. Transfer Tube Assembly

Assembled by

8. O-ring Holder

74. Valve Joint B

80. Pipe $\phi 3 \times t0.5 \times 130$

108. O-ring P3 1A

109. O-ring P5 1A

130. Filter

132. Valve Joint C

