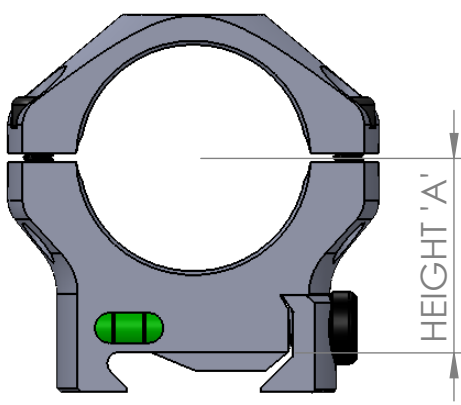
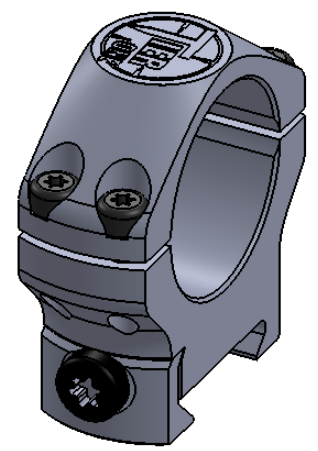
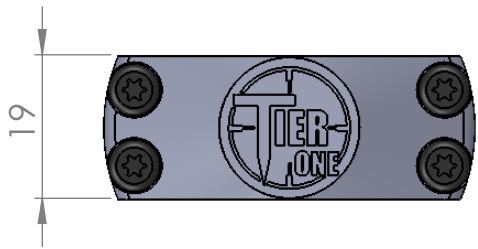
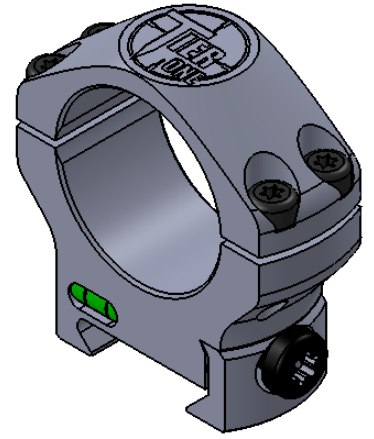


	4		3		2		1
	T1PIC254M	1" MEDIUM	HEIGHT 'A' =22MM				
	T1PIC30M	30MM MEDIUM	HEIGHT 'A'=26MM				
F	T1PIC30H	30MM HIGH	HEIGHT 'A'=30MM				F
	T1PIC34M	34MM MEDIUM	HEIGHT 'A'=26MM				
	T1PIC34H	34MM HIGH	HEIGHT 'A'=30MM				
	T1PIC34EH	34MM EX HIGH	HEIGHT 'A'=35MM				
	T1PIC36M	36MM MEDIUM	HEIGHT 'A'=27MM				
	T1PIC40M	40MM MEDIUM	HEIGHT 'A'=30MM				
	T1PIC40H	40MM HIGH	HEIGHT 'A'=35MM				



DESIGNED FOR THE PURPOSE OF MOUNTING OPTICAL DEVICES TO FIREARMS

UNLESS OTHERWISE SPECIFIED:
 DIMENSIONS ARE IN MILLIMETERS
 SURFACE FINISH:
 TOLERANCES:
 LINEAR:
 ANGULAR:

FINISH:
**HARD ANODISE
 30 MICRONS BLACK**

DEBURR AND
 BREAK SHARP
 EDGES

DO NOT SCALE DRAWING

REVISION **01**

WWW.TIER-ONE.EU

	NAME	SIGNATURE	DATE
DRAWN	CC		19/03/17
CHK'D			
APPV'D			
MFG			
Q.A			

TITLE:
PICATINNY RING HEIGHTS

MATERIAL:
AL7075 T6

WEIGHT:

DWG NO.
T1PICHEIGHTS

A4



TRADING NAME OF
 EVO LEISURE LTD
 GREAT BRITAIN

SCALE:1:1

SHEET 1 OF 1