



**AMOEBBA**  
JUST INNOVATION

# AM-013 / AM-014 / AM-015

## AIRSOFT ASSAULT RIFLE

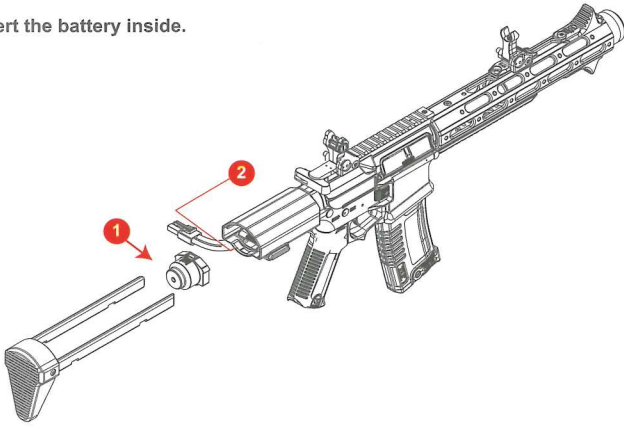
ELECTRONIC FIRING CONTROL SYSTEM



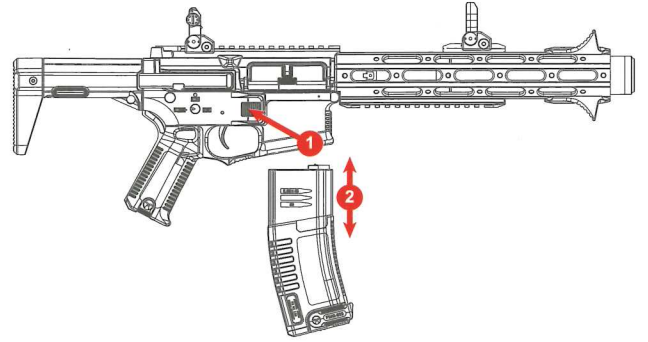
USER RESTRICTED TO 18 YEARS OF AGE OR OLDER

## INSERT THE BATTERY

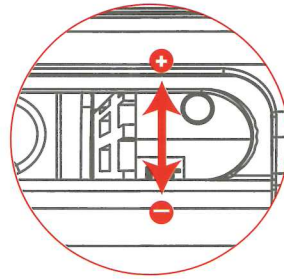
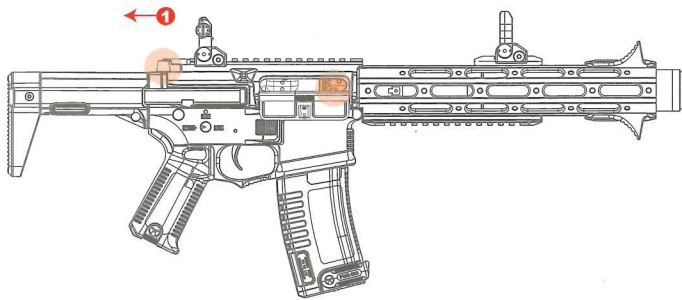
1. Press & release the cover
2. Insert the battery inside.



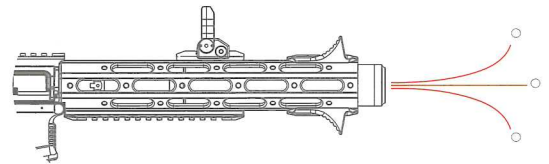
## SETTING THE MAGAZINE



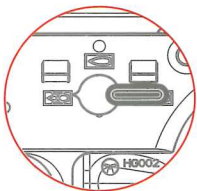
## HOP-UP ADJUSTMENT



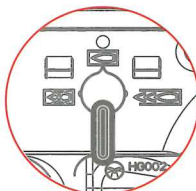
- + NOT ENOUGH HOP UP
- EXCESSIVE HOP UP



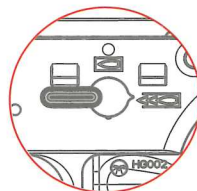
## FIRING MODE



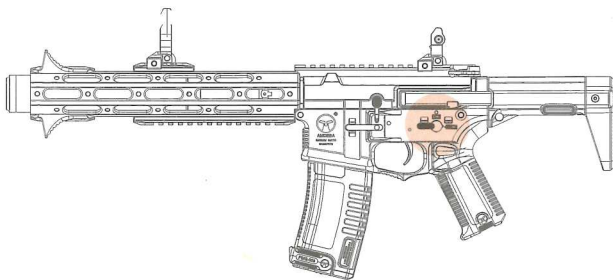
SAFETY



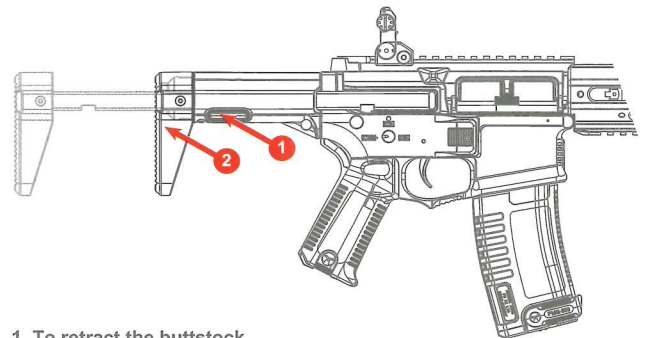
SEMI AUTO



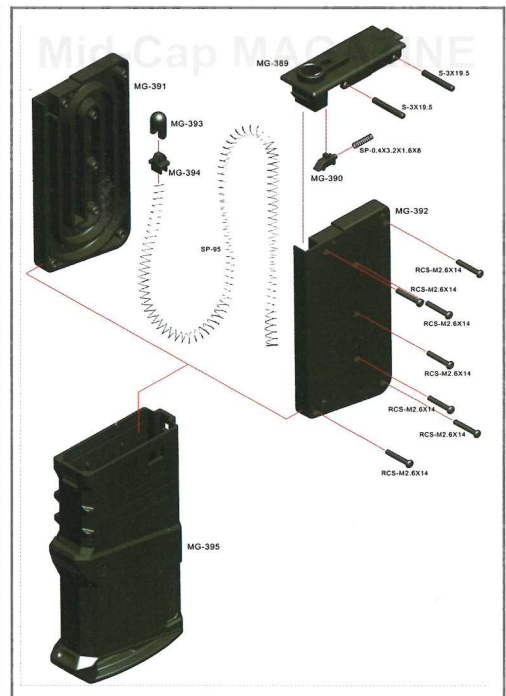
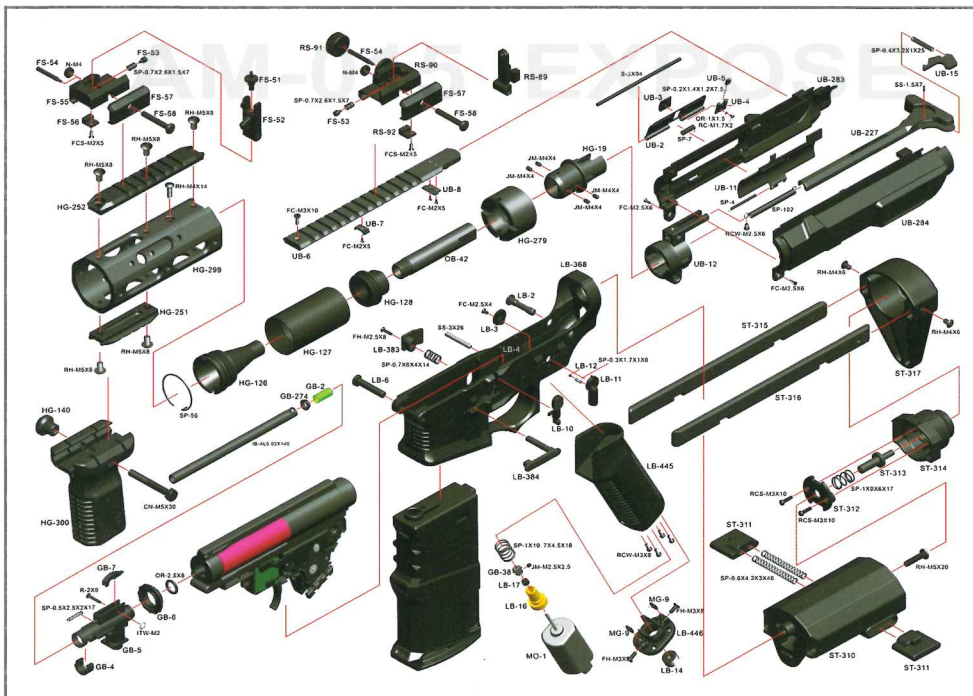
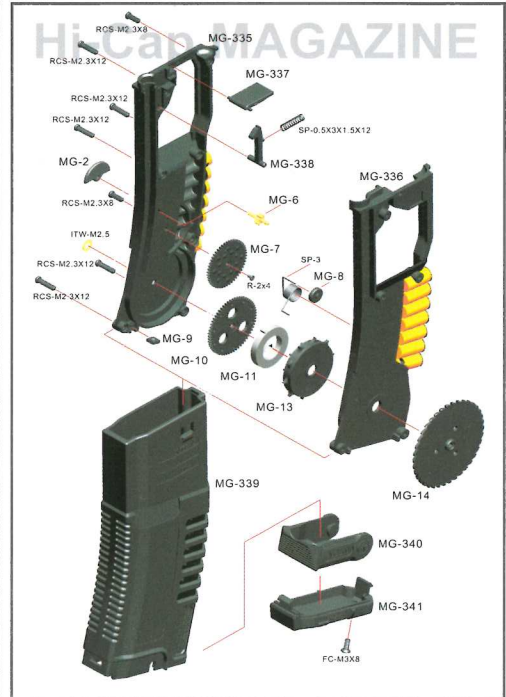
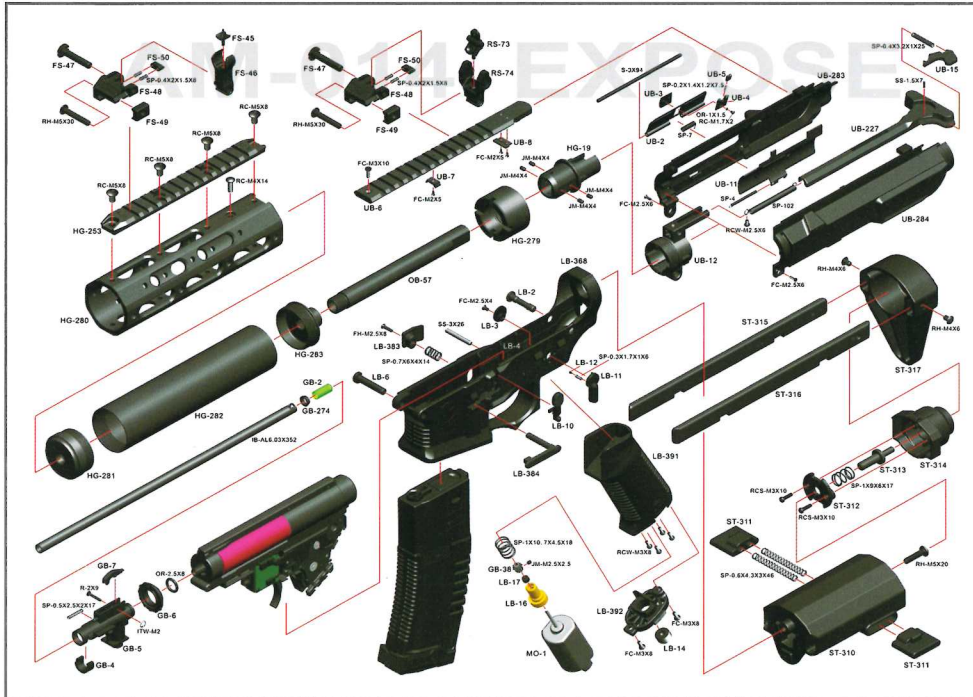
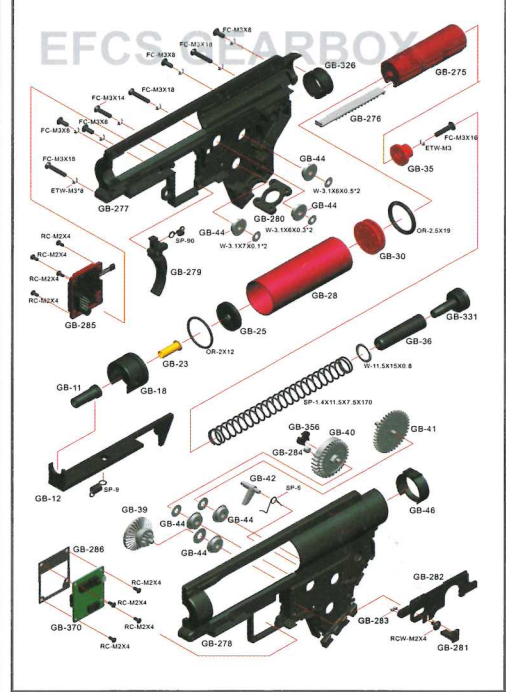
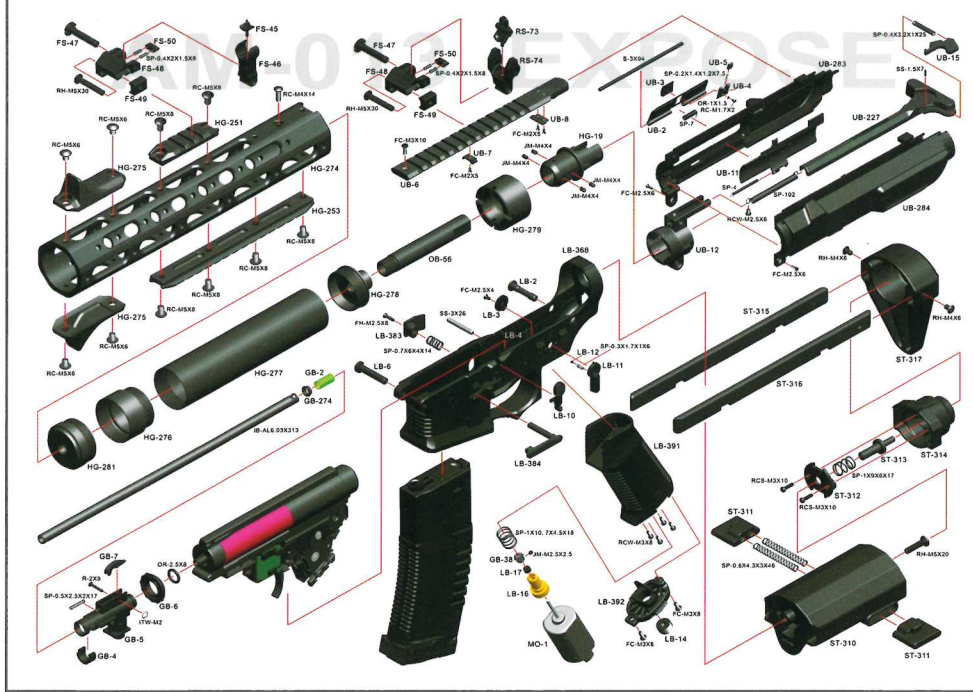
FULL AUTO



## RETRACTABLE BUTTSTOCK



1. To retract the buttstock
2. To remove the buttstock



## AMOEBEA ELECTRIC GUN — SPECIFICATIONS

### AM-013-BK

LENGTH : 630mm / 735mm WEIGHT : 2400g



### AM-014-BK

LENGTH : 680mm / 790mm WEIGHT : 2400g



### AM-015-BK

LENGTH : 500mm / 610mm WEIGHT : 2200g



## FEATURES

- Non-contact firing control
- Mode: SAFE - SEMI- AUTO
- Digital multi magnetic sensor control circuit.
- Not affected from dust, grease, under voltage and parts tolerance.
- LI-PO battery ready
- Fully protected function : Short circuit, Overloaded, Motor locked, Weak voltage and no time delay.
- Multi function setting
- All in one design
- EFCS metal gear box

## SPECIFICATION

BATTERY :	70 x 42 x 17mm ( Li-Po ready )
MAGAZINE CAPACITY :	140rds / 250rds (6MM BB)
FIRE MODE :	Full Auto / Semi / Safe
GEARBOX :	Full Metal (EFCS)
MATERIAL :	Nylon Fiber
MOTOR :	High Torque Flat Motor
HOP-UP :	Adjustable
ENERGY OUTPUT :	< 2 Joules



## AMOEBEA ELECTRIC GUN — SAFETY INSTRUCTIONS

### READ ALL INSTRUCTIONS BEFORE USE!

- FOR ADULT USE ONLY. NOT TO BE OPERATED BY MINORS UNDER THE AGE OF 18.
- NEVER MODIFY OR ALTER YOUR AIRSOFT GUN. Attempts to modify the airsoft gun in any way could make your airsoft gun unsafe to use, cause serious injury or death, and will void the warranty.
- Misuse of Airsoft Guns is dangerous and can cause serious injury or death. Always treat an Airsoft gun with the same respect you would towards a real firearm.

#### SAFETY CONSIDERATIONS

- NEVER look into the gun's muzzle.
- NEVER point the Airsoft gun at anything you do not intend to shoot.
- NEVER shoot at targets that may cause the BB to bounce off, such as hard surface that could produce a ricochet.
- ALWAYS ensure the operator and everyone nearby are wearing appropriate eye protection.
- ALWAYS ensure the fire-selector is on "SAFE" until you are ready to shoot.
- ONLY shoot the airsoft gun in designated area, towards a safe direction, using a sufficient backstop.

#### GENERAL PRECAUTIONS

- This merchandise does not contain any internal components compatible or interchangeable with a real firearm.
- This merchandise cannot accept firing components from a real firearm, nor be able to chamber / fire real ammunition.
- This merchandise is designed to function solely with 6mm airsoft ammunition. ONLY use high-quality precision plastic BBs designed for 6mm Airsoft guns.
- NEVER reuse a BB that is dirty, has been shot from the gun, or otherwise deformed. Use of contaminated or imperfect BBs could damage your gun.
- ALWAYS transport Airsoft guns in it's original box or an appropriate gun case. NEVER carry the gun in plain sight.
- ALWAYS store the airsoft gun unloaded, and out of reach by children.
- Using unauthorized repair centers or modifying the function of your airsoft gun in any way may be unsafe and will void your warranty.
- The manufacturer, distributors, and retailers are not liable for any malfunction, accidents, injuries or repair cost resulting from misuse, or by disassembly and modification of the airsoft gun.



**! WARNING :** When store the gun or after use, battery must be unplug, otherwise the battery power will be drained off.

Divisions of Forever Good (Hong Kong) Ltd.



FOR GENERAL ENQUIRY, CONTACT US AT  
ARES@ARES-AIRSOFT.COM

FOR THE LATEST NEWS AND PRODUCT INFORMATION, VISIT US AT  
WWW.AMOEBEA-AIRSOFT.COM

f AIRSOFTAMOEBEA