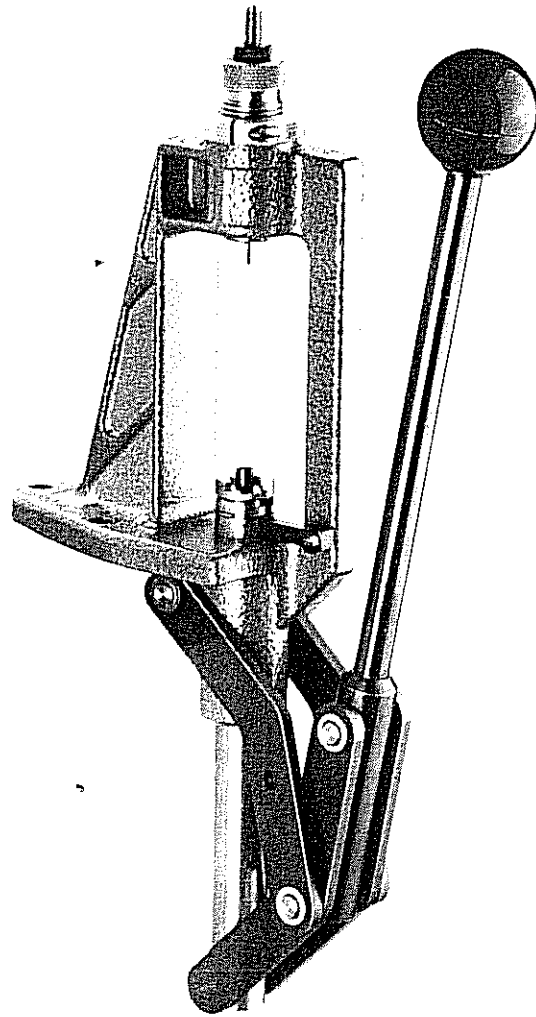


# ***RCBS***®

---

# **PARTNER PRESS**



P R O D U C T   I N S T R U C T I O N S

## IMPORTANT

Before using the RCBS Partner Press, read this instruction manual carefully to fully learn how to safely operate the scale. Failure to properly operate the scale can result in severe personal injury and/or equipment damage. If you have read these instructions and still do not understand some operation, call us at 1-800-533-5000 and a technician will assist you.

This instruction manual contains specific safety and operating information. It should be considered a permanent part of your reloading equipment and remain with the equipment at all times for easy reference.

## SAFETY

Reloading is an enjoyable and rewarding hobby that can be conducted safely. But, as with any hobby, carelessness or negligence can make reloading hazardous. This product has been designed from the beginning with the user's safety in mind. When reloading, safety rules must be followed. By observing these rules, the chance of a hazardous occurrence causing personal injury or property damage is minimized.

## GENERAL

- Use all equipment as the manufacturer recommends. Study the instructions carefully and become thoroughly familiar with the operation of the product. If you do not have written instructions, request a copy from the equipment manufacturer.
- Don't take short cuts. Attempting to bypass established procedures is an invitation to an accident.
- Observe "good housekeeping" in the reloading area. Keep tools and components neat, clean and orderly. Promptly and completely clean up primer and powder spills.
- Reload only when you can give your undivided attention. Do not reload when fatigued or ill, or under the influence of medications or alcohol. Develop a reloading routine to avoid mistakes which may prove hazardous. Don't rush - load at a leisurely pace.
- Always wear adequate eye protection to protect your eyes from flying particles. You assume unnecessary risk when reloading without wearing safety glasses.

## LOADING DATA

- Use only laboratory tested reloading data. We highly recommend the SPEER Reloading Manual.
- **OBSERVE ALL WARNINGS ABOUT THE USE OF MAXIMUM LISTED LOADS.**

## PRIMERS AND POWDER

- Store primers and powder beyond the reach of children and away from heat, dampness, open flames and electrical equipment. Avoid areas where static electricity is evident.
- Do not use primers of unknown identity. Scrap unknown primers in accordance with applicable regulations.
- Keep primers in the original factory container until ready to use. Return unused primer to the same factory packaging for safety and to preserve their identity. Primer packaging is designed to provide safe storage.
- **DO NOT** store primers in bulk. The blast of just a few hundred primers is sufficient to cause serious injury to anyone nearby.
- **DO NOT** force primers. Use care in handling primers.
- **DO NOT** have more than one can of powder on the bench at one time. Powder cans should be stored away from the bench to avoid picking up the wrong one.
- **DO NOT use any powder unless its identity is positively known. The only positive identification is the manufacturer's label on the original canister. Discard all mixed powders and those of uncertain identity.**
- If you use a powder measure, replace the lids on both the powder hopper and powder can after the powder hopper has been filled.
- When using a powder measure, settle the powder in the powder hopper before charging any cases. Throw and check the weight of at least ten charges. This will assure you that the correct powder charge is being thrown.
- When you finish a reloading session, pour any remaining powder back into its original factory container. This will preserve the identity and shelf life of the powder.
- **DO NOT** smoke while reloading.

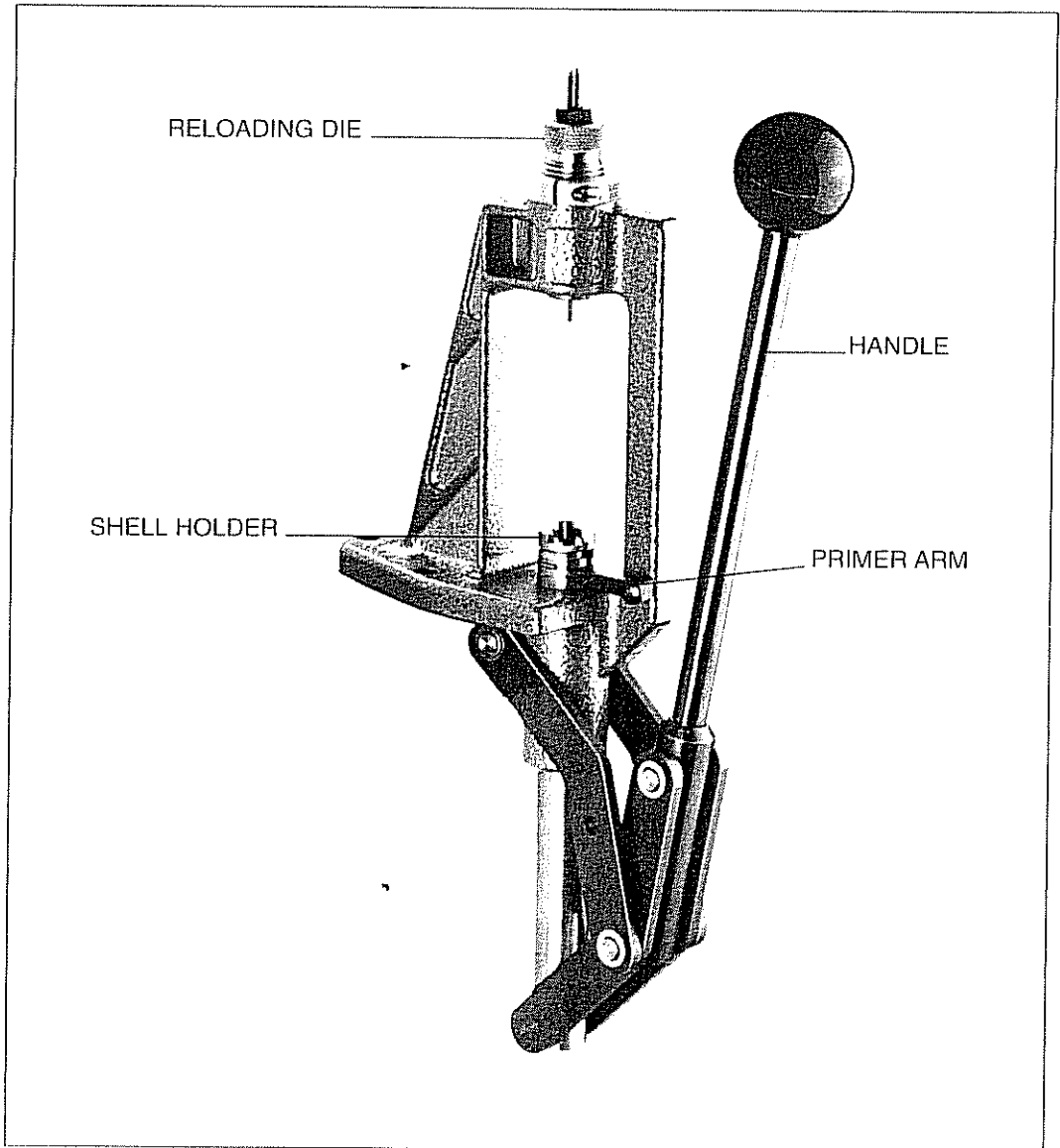
## RECORD KEEPING

- Keep complete records of reloads. Apply a descriptive label to each box showing the date produced, and the primer, powder and bullet used. Labels for this purpose are packed with SPEER bullets. **Never attempt to guess at the identity of your ammunition.**

## INTRODUCTION

The Partner Press was specifically designed for the beginning reloader. With the Partner you can reload your favorite rifle and pistol ammo – from the magnums down to .17 caliber. Because of the patented RCBS compound leverage system and block "O" frame you can easily full-length size cases with less effort than other presses need to neck size. The standard  $\frac{7}{8}$ -14 top thread allows the use of many RCBS accessories.

The primer arm on the Partner Press is equipped with interchangeable primer plugs and sleeves for seating large and small primers. The primer arm swings out of the way when not in use.



## INSTALLATION

Solidly mount the Partner Press to a table or workbench with three  $\frac{1}{4}$ " bolts of sufficient length to penetrate the press base and bench. Install the Press Handle as shown in the photograph and tighten securely.

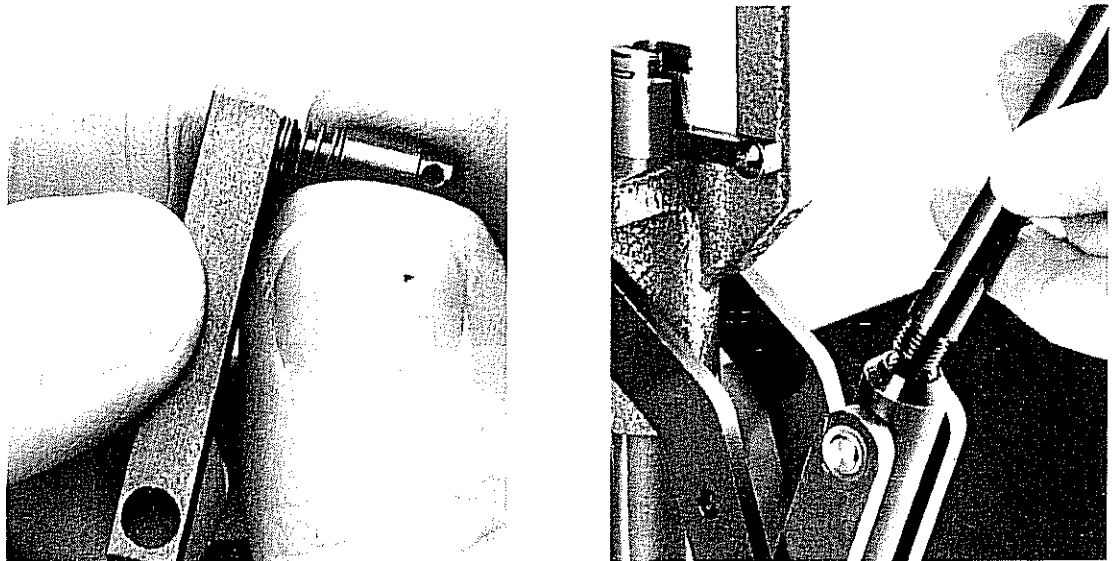
The Partner Press ram accepts removable type shell holders. To install, insert the shell holder into the ram and twist slightly to the left. To remove, twist slightly to the right.

Before installing the primer arm onto the press, first make sure the correct size primer plug and sleeve are in position. Consult the RCBS reference table in this book for the correct size to use, depending on the caliber you are reloading.

The primer arm is furnished with one size of primer plug and sleeve installed. To change to another size, pull the primer sleeve down on the primer plug low enough to expose the cross hole. A small nail or straightened paper clip can be used to turn the primer plug counter-clockwise. Use care in turning the primer plug as it is under pressure from the spring and may fly loose. Drop the small primer plug through the small sleeve. Place the spring on the primer arm body. Tighten the assembly with a small nail or paper clip through the cross hole in the primer plug. Do not over-tighten. Check from time to time to be sure the primer plug remains tight.

To install the primer arm, insert the primer arm pin (the end without the groove) into the hole in one side of the press frame. Then, gently tap the end of the pin with a small hammer until the small shoulder on the pin seats up against the press frame. Be sure the retaining ring groove in the pin is in full view. Place the primer arm on the pin and attach the retaining ring. It is not necessary to remove the primer arm from the press to change the primer plug and sleeve. Refer to the previous paragraph for instructions to make this change.

The Partner Press Primer Catcher (part #88732) snaps onto the press frame. The bottom of the primer catcher should rest on top of the press frame base and against the ram. This will allow the primer to drop out of the hole in the side of the ram and into the primer catcher.



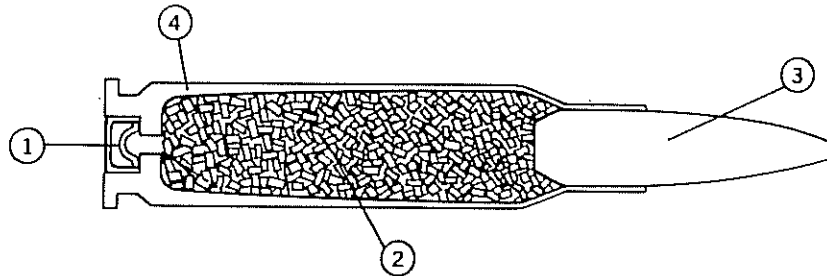
## MAINTENANCE

Should the press linkage system become loose due to heavy use, simply place a hollow punch over the retaining rings on the linkage arm and tap lightly with a hammer.

The Partner Press was lubricated when assembled at the factory. However, it is necessary to lightly lubricate all moving parts from time to time with a light oil such as Outers Gun Oil. If rust spots appear, swab lightly with gun oil and wipe dry. Care should be taken not to apply oil where it could come in contact with primer pockets or primers. Oil will deactivate primers. It is good practice to clean the press prior to lubrication to remove grit and other residue. You will note the ease with which the epoxy enamel paint wipes clean. This finish is impervious to oil and is extremely chip and fade resistant.

## WHAT IS RELOADING?

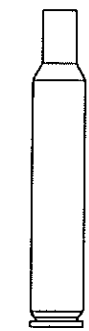
Reloading ammunition is merely the replacement of those parts of a cartridge that are used up when that cartridge is fired. A rifle or pistol cartridge consists of just four parts which are called components: ① The Primer, ② The Powder, ③ The Bullet, and ④ The Brass Case.



When a cartridge is fired from your gun the primer that ignites the powder is burned out, the powder that drives the bullet is ignited to force the bullet out of the barrel and all you have left is the brass case. It is this brass case that you can reload with a new primer, powder, and bullet, over and over again.

## CASE TYPES

### RIFLE CASES



Rimless Bottleneck



Rimmed Bottleneck



Belted Bottleneck



Rimmed Straight



Belted Straight

### PISTOL CASES



Rimmed



Rimless

## BULLET TYPES

### RIFLE BULLETS



Spitzer Point



Semi-Point



Round Nose

### PISTOL BULLETS



Round Nose

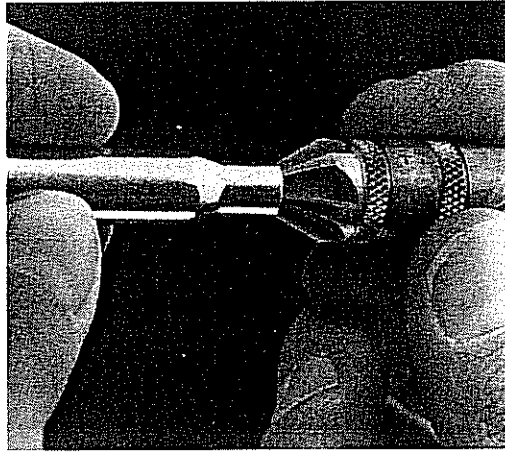


Wad-cutter

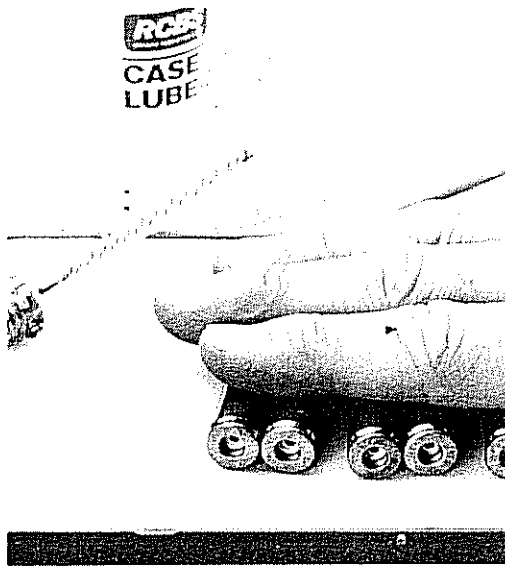


Semi-Wadcutter

## RELOADING WITH A 2-DIE SET FOR BOTTLE-NECK TYPE RIFLE AND PISTOL CASES



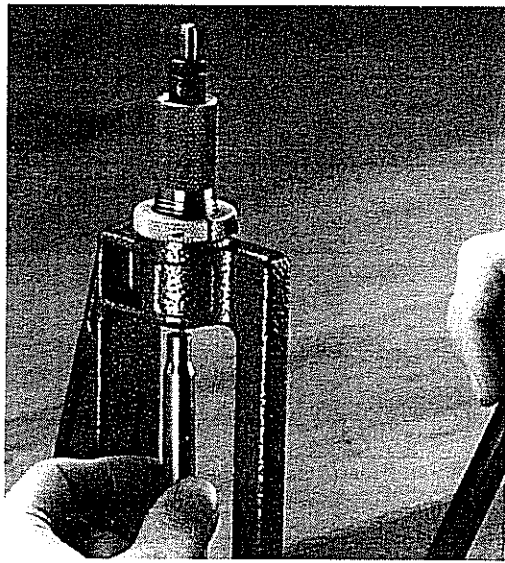
STEP 1: Wipe all the cases clean to prevent dirt and grit from scratching the cases and the interior of the sizer die. Using a deburring tool, remove any rough edges from the inside and outside of the case mouth.



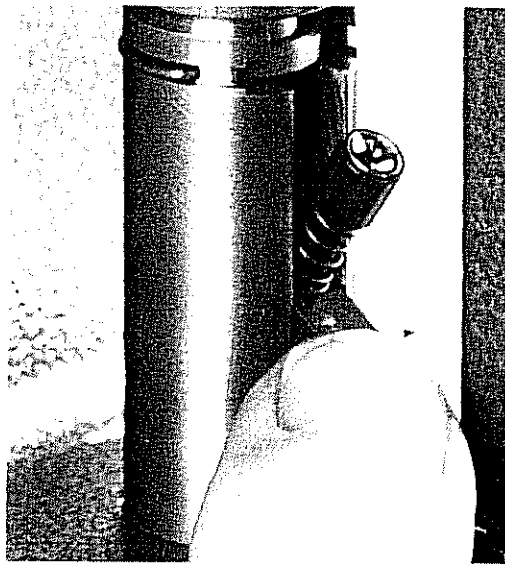
STEP 2: Lightly lubricate the outside of the cases by rolling them over the case lube pad that has a trace of Case Lube-2 on it. This will permit the case to be inserted into the sizer die without sticking. Apply a trace of lubricant to the case neck brush by rolling it over the case lube pad and lightly lubricate the inside of the case neck.



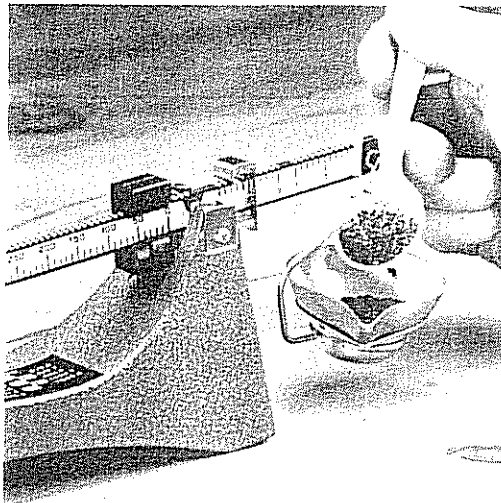
STEP 3: Screw the sizer die into the top of the reloading press. Refer to the die instructions that were included with your reloading dies for the proper adjustment.



STEP 4: Raise the press handle and slide the case into the shell holder. Now gently but firmly lower the press handle and run the case all the way into the die. This operation will resize the case, expand the case mouth and knock the fired primer out of the bottom of the case.



STEP 5: While the case is still inside the die, insert a live primer, open end up, into the cup of the primer arm. Now, gently and slowly raise the press handle. As the case is drawn out of the die it will be lowered onto the live primer. Inspect the primer to make sure it is properly seated.



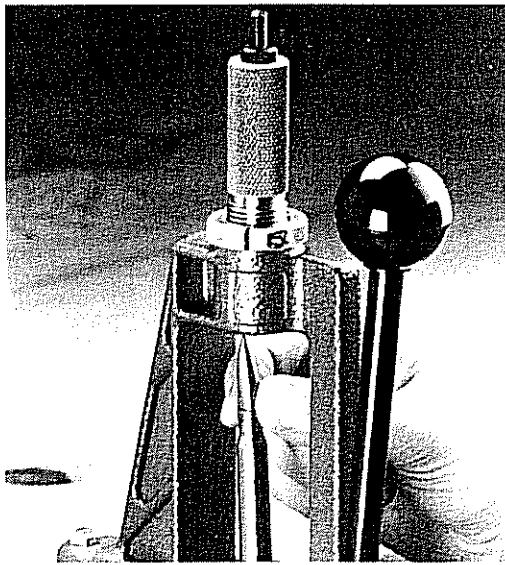
STEP 6: Consult the Speer Reloading Manual to learn what kind of powder, and how much, is needed to reload your caliber of cartridge. Then weigh the recommended powder charge in your reloading scale. Follow the instructions you received with your scale for proper adjustment.



STEP 7: After you have accurately weighed the powder it can be poured into the case through the powder funnel.



STEP 8: You are now ready for the final step of reloading the case – seating the bullet. Unscrew the sizer die from the press and thread the seater die into the press. Adjust the seater die according to the instructions received with your die set.

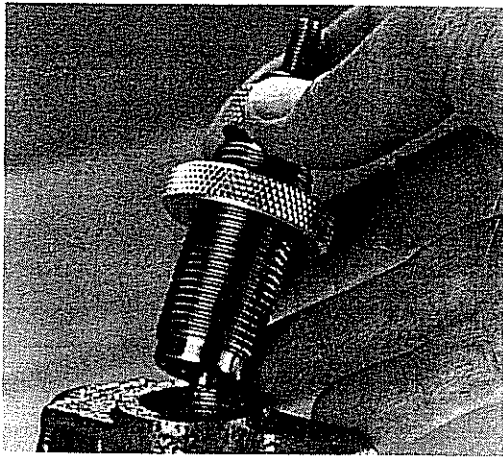


STEP 9: Insert a case into the shell holder, and, holding a bullet over the mouth of the case with one hand, lower the press handle with the other. Run the bullet and case into the seater die. Adjust the seater plug up or down to achieve the proper seating depth.

NOTE: For simplicity, these instructions show just one case going through all the reloading steps. In actual reloading you would take a quantity of cases through each step.



## RELOADING WITH A 3-DIE SET FOR STRAIGHT-WALL TYPE RIFLE AND PISTOL CASES

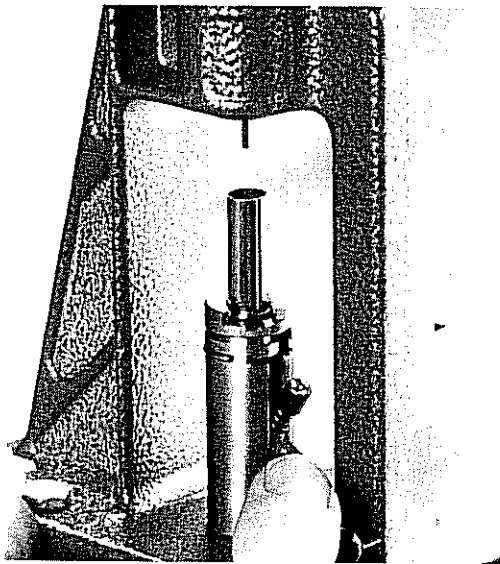


Reloading with a 3-die set is basically the same as reloading with a 2-die set except the expanding step is done in a separate die.

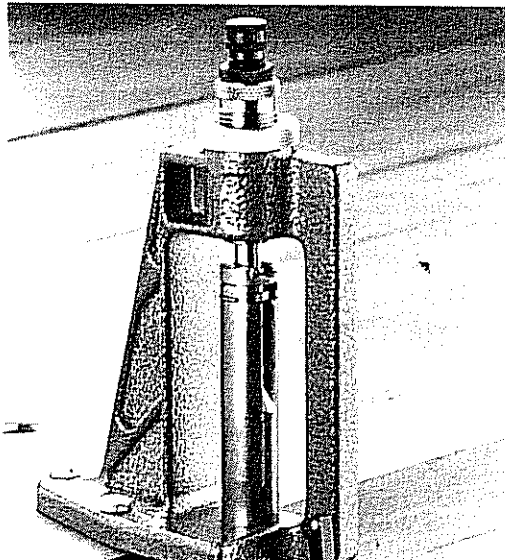
**STEP 1:** Clean and inspect your empty cases as mentioned earlier in reloading with a 2-die set.

**STEP 2:** Lightly lubricate the outside of the cases by rolling them over the case lube pad that has a trace of Case Lube-2. This will permit the case to be inserted into the sizer die without sticking.

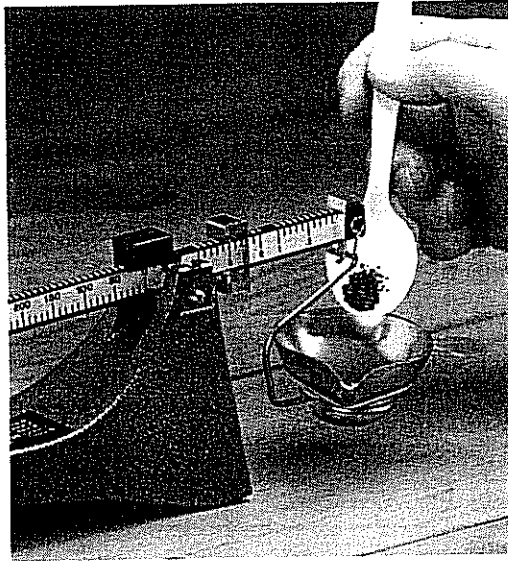
**STEP 3:** Screw the sizer die into the top of the reloading press. Refer to the die instructions that were included with your reloading dies for the proper adjustment.



**STEP 4:** Raise the press handle and slide the case into the shell holder. Now, gently but firmly lower the press handle and run the case all the way into the die. This operation will resize the case and knock the fired primer out of the bottom of the case. After running the case into the die, insert a live primer, open end up, into the cup of the primer arm. Now, gently and slowly raise the press handle. As the case is drawn out of the die it will be lowered onto the live primer. Inspect the primer to make sure it is properly seated.



**STEP 5:** Unscrew the sizer die from the press and replace it with the expander die. This die will expand the case mouth to receive the bullet.



STEP 6. Consult the Speer Reloading Manual to learn what kind of powder, and how much, is needed to reload your caliber of cartridge. Then weigh the recommended powder charge in your reloading scale. Follow the instructions you received with your scale for proper adjustment.



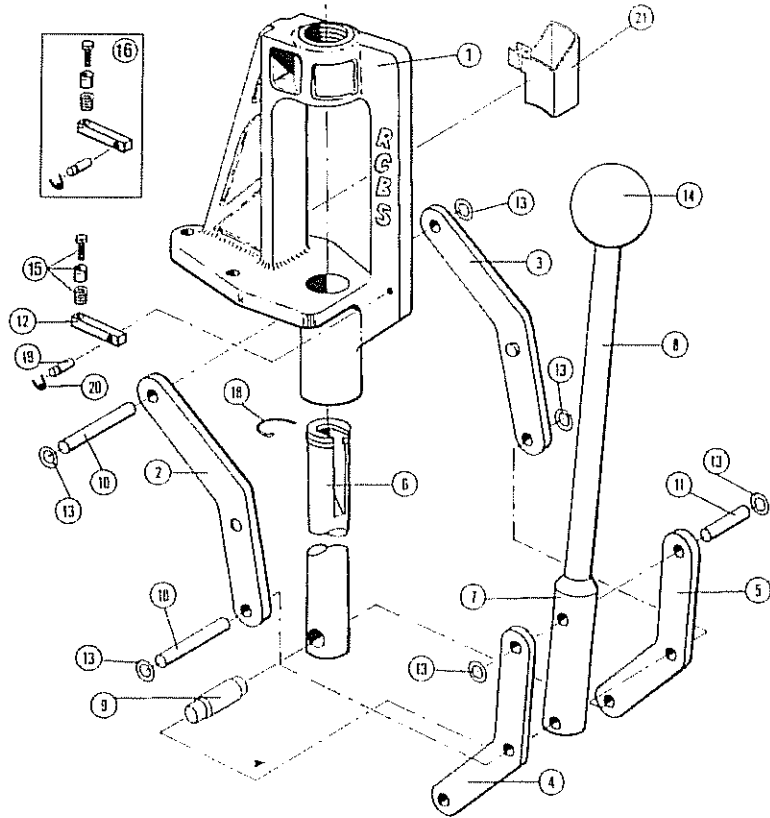
STEP 7: After you have accurately weighed the powder it can be poured into the case through the powder funnel.



STEP 8: You are now ready for the final step of reloading the case - seating the bullet. Unscrew the expander die from the press and thread the seater die into the press. Adjust the seater die according to the instructions received with your die set. Insert a case into the shell holder, and, holding a bullet over the mouth of the case with one hand, lower the press handle with the other. Run the bullet and case into the seater die. Adjust the seater plug up or down to achieve the proper seating depth.

NOTE: For simplicity, these instructions show just one case going through all the reloading steps. In actual reloading you would take a quantity of cases through each step.

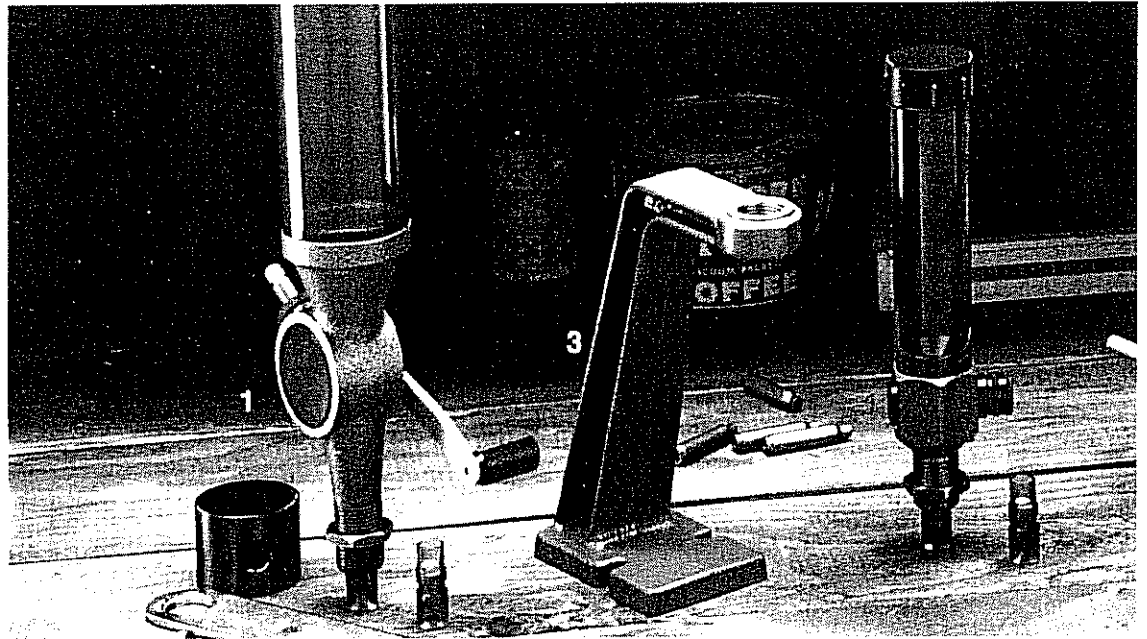
# PARTNER PRESS PARTS LIST



KEY	PART#	DESCRIPTION
1	*	Frame
2	87402	Link, Left
3	87403	Link, Right
4	87404	Handle Link, Left
5	87405	Handle, Link, Right
6	87406	Shell Holder Ram
7	87407	Handle Block
8	87408	Handle
9	87409	Ram Pin
10	87410	Link Pin (2)
11	87411	Handle Pin
12	87412	Primer Arm
13	87413	Tinnerman Retaining Ring
14	87414	Handle Ball
15	09552	Primer Plug, Sleeve & Spring, Large
15	09553	Primer Plug, Sleeve & Spring, Small
16	87418	Primer Arm Assembly (Includes Keys 12, 15, 19 & 20)
18	09111	Shell Holder Ram Clip Spring
19	87417	Primer Arm Pin
20	87670	Retaining E-Ring
21	88732	Primer Catcher

\* Not available separately

# A FEW WORDS FROM

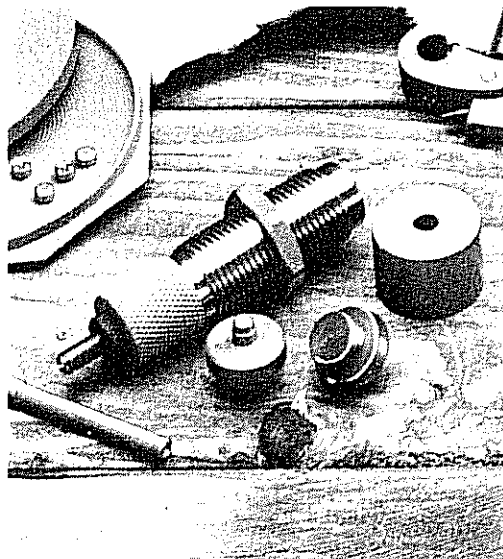


These RCBS accessories will make your reloading even more enjoyable.

A powder measure will greatly speed up the powder charging steps. A predetermined powder charge is dispensed with each crank of the handle, thereby eliminating the need to weigh every single charge.

① **Uniflow Powder Measure:** For over 30 years, the Uniflow Powder Measure has earned a reputation for accuracy and reliability. It dispenses powder charges from .5 grains of Bullseye to 110 grains of IMR#4350, dependably and accurately. Furnished with one fully adjustable measuring cylinder to handle most all powder charges. Includes drop tubes for .22 through .45 caliber and a stand plate for attaching to the loading table. Can also be mounted on the optional Powder Measure/Piggyback Stand. Part #09010.

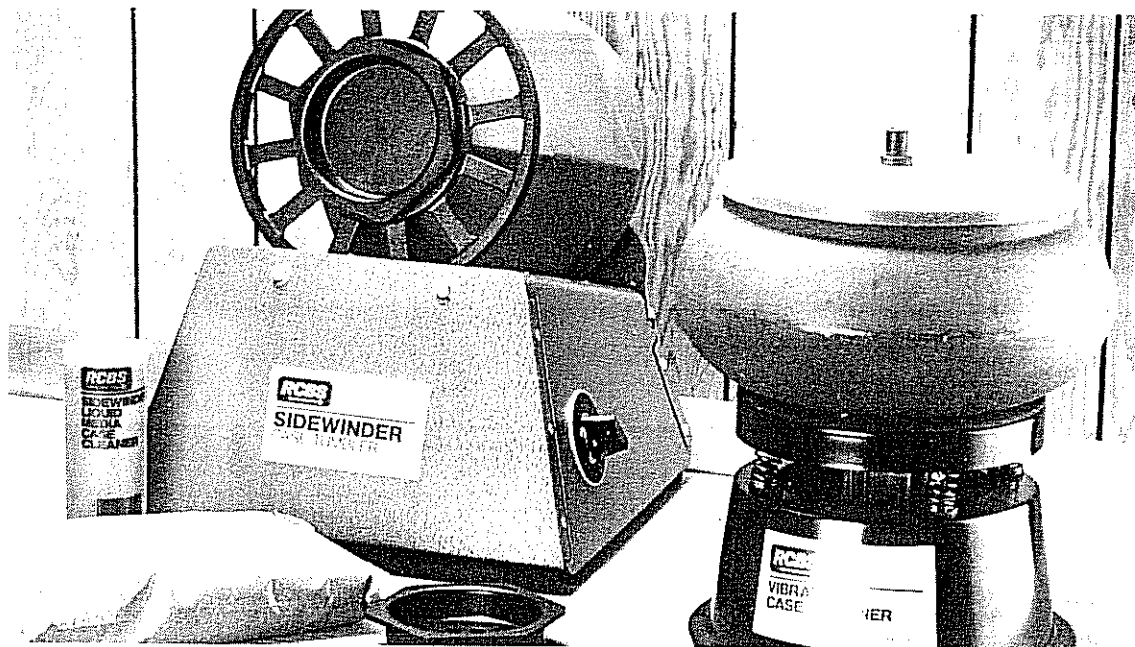
② **Little Dandy Pistol Powder Measure:** The name says it all – great for pistol powder charges. With interchangeable fixed-charge powder rotors, you can load most of the popular powders. The rotors allow for quick change-overs with no readjustments. May be mounted in a powder measure stand or hand-held. Part #86040.



③ **Powder Measure/Piggyback Stand:** Holds most any powder measure at a convenient work height. Allows plenty of work space for scale pan or loading block. Can also be used as a rack for holding a Piggyback Conversion Unit. Part # 09035.

④ **Primer Pocket Swager Combo:** A quick, precise way to remove primer pocket crimp from military cases. Leaves the primer pocket perfectly rounded with correct dimensions for seating American Boxer-type primers. Swager heads are included for large and small primer pockets. Part #09495.

# OUR SPONSOR.

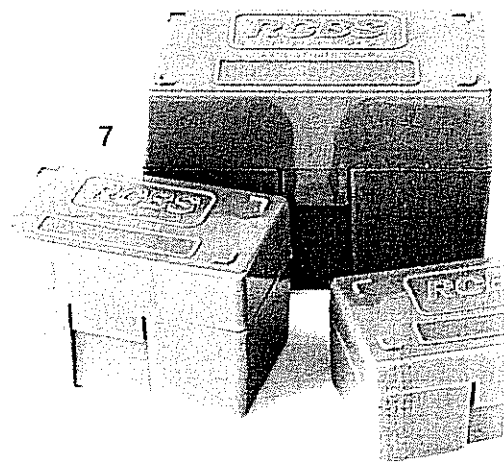


⑤ **Vibratory Case Cleaner:** Cleans and polishes cases using dry media. Large 3-1/2 quart bowl holds up to 190 .30-06 cases or 500 .38 Special cases. The thermally protected ball-bearing motor cleans quickly and quietly. Removeable lid lets you inspect the cases while the motor is operating. Part #87088.

⑥ **Sidewinder Case Tumbler:** Cleans and polishes cases, both inside and out, using a tumbling action. The lifted easy-access drum rotates for quick, thorough cleaning. Capacity, up to 300 .38 Special cases, or 150 .30-06 cases. Part #87000. Includes a bottle of our liquid case cleaner. Part #87015.

⑦ **Plastic Ammo Boxes:** Great for securely packing, storing, carrying, and dispensing most rifle and pistol cartridges. In five sizes, these unique tough plastic boxes have flush exteriors with recessed latches for stacking and a one-piece, long lasting hinge.

Ammo Box, Small Rifle .....86901  
Ammo Box, Medium Rifle .....86902  
Ammo Box, Large Rifle .....86903  
Ammo Box, Medium Pistol.....86905  
Ammo Box, Large Pistol .....86906



# REFERENCE TABLE

Caliber	Shell Holder Number	Primer Plug & Sleeve Size	Caliber	Shell Holder Number	Primer Plug & Sleeve Size
17 Remington	10	Small	308 Winchester	3	Large
218 Bee	1	Small	7.5mm x 54 French MAS	2	Large
22 Hornet	12	Small	7.5mm Schmidt-Rubin	2	Large
22 K-Hornet	12	Small	7.62 x 39mm .308/311	32	Large
22 Remington Jet	6	Small	7.62 x 54Rmm Russian .308/311	13	Large
22 Savage High-Power	2	Large	7.65 x 53mm Belgian Mauser	3	Large
22-250 (22 Varminter)	3	Large	7.7 x 58mm Japanese Arisaka	3/2	Large
220 Swift	11	Large	32 Automatic (7.65mm Auto)	17	Small
221 Remington Fireball	10	Small	32 H&R Magnum	23	Small
222 Remington	10	Small	32 Smith & Wesson Long	23	Small
222 Remington Magnum	10	Small	32 Winchester Special	2	Large
223 Remington (5.56mm)	10	Small	32-20 Winchester	1	Small
5.0mm x 50 Rimmed	6	Small	32-40 Winchester	2	Large
240 Weatherby Magnum	3	Large	8mm Remington Magnum	4	Large
			8mm-06	3	Large
243 Winchester	3	Large	8 x 57mm Mauser (8mm Mauser)	3	Large
6mm PPC	32	Small	8 x 685mm Magnum	34	Large
6mm Remington (244 Remington)	3	Large	338 Lapua	14/37	Large
25 Auto (25 ACP)	29	Small	338 Remington Ultra Magnum	38/4	Large
25-06	3	Large	338 Winchester Magnum	4	Large
25-20 Winchester	1	Small	338-06	3	Large
25-35 Winchester	2	Large	338-378 Weatherby Magnum	14	Large
250 Savage (250-3000 Savage)	3	Large	340 Weatherby Magnum	4	Large
257 Roberts	3/11	Large	348 Winchester	5	Large
257 Roberts Improved 40"	3/11	Large	35 Remington	9	Large
257 Weatherby Magnum	4	Large	35 Whelen	3	Large
260 Remington	3	Large	350 Remington Magnum	4	Large
264 Winchester Magnum	4/26	Large	356 TSW	16	Small
6.5mm-06	3	Large	356 Winchester	2	Large
6.5 x 54mm Mannlicher-Schoenmaier	9	Large	357 Magnum	6	Small
6.5 x 55mm Swedish Mauser	2	Large	357 Remington Maximum	6	Small
6.5 x 57mm Mauser	3	Large	357 SIG	27	Small
6.5 x 685mm	34	Large	358 Winchester	3	Large
270 Weatherby Magnum	4	Large	9mm FAR	16	Small
270 Winchester	3	Large	9mm Luger	16	Small
270 Winchester Short Magnum	43	Large	9mm Makarov	16	Small
280 Remington (7mm Exp. Rem.)	3	Large	9 x 21mm	16	Small
284 Winchester	3	Large	9.3 x 62mm Mauser	3	Large
7mm Bench Rest Remington	3	Small	9.3 x 74Rmm	4	Large
7mm Remington Magnum	4/26	Large	975 H&H Magnum	4	Large
7mm Remington Short Action Ultra Mag	38/4	Large	375 Remington Ultra Magnum	38/4	Large
7mm Remington Ultra Magnum	38/4	Large	375 Winchester	2	Large
7mm Shooting Times Westerner	4	Large	376 Steyr	42	Large
7mm Thompson/Center Ugalde	10	Small	378 Weatherby Magnum	14	Large
7mm Weatherby Magnum	4	Large	38 Colt Super Auto	39	Small
7mm Winchester Short Magnum	43	Large	38 Special	6	Small
7mm-08 Remington	3	Large	380 Automatic (ACP)	10	Small
7 x 57mm Mauser (7mm Mauser)	3/11	Large	38-40 Winchester	35	Large
7 x 64mm Brenneke	3	Large	38-55 Winchester & Ballard	2	Large
7 x 65mm Rimmed	26	Large	40 S&W	27	Small
7-30 Waters	2	Large	40-65 Shiloh Sharps-.408"	14	Large
30 M-1 Carbine	17	Small	400 CorBon	3	Large
30 Luger (7.65mm Luger)	16	Small	405 Winchester	24	Large
30 Mauser (7.63mm Mauser)	16	Small	10mm Auto	27	Large
30 Remington	19	Large	41 Magnum	30	Large
30-06 Springfield	3	Large	416 Remington Magnum	4	Large
30-30 Winchester	2	Large	416 Rigby	17	Large
30-338 Winchester Magnum	4	Large	44 Magnum	38	Large
30-357 Act	6	Small	44 Special	18	Large
30-378 Weatherby Magnum	14	Large	444 Marlin	28	Large
30-40 Krag	7	Large	44-40 Winchester	35	Large
300 H&H Magnum	4	Large	45 Automatic (45 ACP)	3	Large
300 Remington Short Action Ultra Mag	38/4	Large	45 Colt	20	Large
300 Remington Ultra Magnum	38/4	Large	45-70 U.S. Government	14	Large
300 Savage	3	Large	450 Marlin	4	Large
300 Weatherby Magnum	4	Large	454 Casull	20	Small
300 Winchester Magnum	4/26	Large	458 Winchester Magnum	4	Large
300 Winchester Short Magnum	43	Large	460 Weatherby Magnum	14	Large
303 British	7	Large	475 Lamchaugh 1.400"	40	Large
307 Winchester	2	Large	480 Ruger	40	Large
308 Norma Magnum	4	Large	50 Action express	33	Large

Note: When two Shell Holders are listed, the most popular is shown first. It may be necessary to use the alternate, depending on the manufacturer and/or lot of cases being used.

Note: \* Cases may be headstamped. Depriming and priming must be done by hand. If cases were formed from cases having boxer-type primers, use the appropriate Shell Holder for that caliber.

# SHELL HOLDER TABLE

Note: RCBS Shell Holder numbers do not correspond to those of other manufacturers.

<b>09201 #1</b> 218 Bee 25-20 Winchester 32-20 Winchester	<b>09204 #4</b> 257 Weatherby Magnum 264 Winchester Magnum [3] 6.5mm Remington Magnum 270 Weatherby Magnum 7mm Remington Magnum [3] 7mm Shooting Times Westerner 7mm Weatherby Magnum 30-338 Winchester Magnum 300 Holland & Holland Magnum 300 Weatherby Magnum 300 Winchester Magnum [3] 308 Norma Magnum 3mm Remington Magnum 338 Winchester Magnum 340 Weatherby Magnum 350 Remington Magnum 358 Norma Magnum 9.3mmx74 Rimmed 375 Holland & Holland Magnum 416 Remington Magnum 458 Winchester Magnum	<b>09211 #11</b> 220 Swift 225 Winchester <b>09212 #12</b> 22 Hornet 22 K-Hornet <b>09213 #13</b> 7.62mmx54R Russian <b>09214 #14</b> 30-378 Weatherby Magnum 378 Weatherby Magnum 40-65 Shiloh-Sharp 45-70 U.S. Government 460 Weatherby Magnum <b>09215 #15</b> 6.5mmx50 Japanese Arisaka <b>09216 #16</b> 30 Lager (7.65mm Lager) 30 Mauser (7.65mm Mauser) 9mm Lager 9mm Makarov 9mmx21 9mmx23 Winchester 41 Action Express <b>09217 #17</b> 30 M1 Carbine 32 Auto (7.65mm Automatic) <b>09218 #18</b> 44 Magnum 44 Special <b>09219 #19</b> 30 Remington <b>09220 #20</b> 45 Colt 454 Casull <b>09221 #21</b> 303 Savage <b>09222 #22</b> 10.15mmx63R Serbian Mauser 11mm Mauser 13 Spanish 11.2mmx50R Krupatchek 11.4mmx50R Beaumont M71 44-77 Sharps 44-90 Sharps Bottleneck <b>09223 #23</b> 12 Harrington & Richardson Mag 12 Smith & Wesson, Long	<b>09224 #24</b> 375 Flanged 2.5 405 Winchester <b>09225 #25</b> 8mm Nambu <b>09226 #26</b> 7mmx65 Rimmed <b>09227 #27</b> 224 Weatherby Magnum 357 Sig. Auto 40 S & W 10mm Auto <b>09228 #28</b> 444 Marlin <b>09229 #29</b> 25 Automatic (25 ACP) <b>09230 #30</b> 41 Magnum <b>09231 #31</b> 50-70 U.S. Government <b>09232 #32</b> 7.62mmx39 22 PPC 6mm PPC <b>09233 #33</b> 50 Action Express <b>09234 #34</b> 6.5mmx68S 8mmx68S Magnum <b>09235 #35</b> 38-40 Winchester 44-40 Winchester <b>09236 #36</b> 45 Winchester Magnum <b>09237 #37</b> 416 Rigby <b>09238 #38</b> 45 Webley <b>09239 #39</b> 38 Colt Super Automatic  <b>Important:</b> The boxed numbers shown in the table indicate the following: [1] Shoulder angle of improved version. [3] Some Browning, DWM, Lapua, Norma, RWS and Sako cases require an RCBS #26 Shell Holder.
<b>09202 #2</b> 22 Savage High Power 25-35 Winchester 6.5mmx55 Swedish Mauser 7-30 Waters 307 Winchester 30-30 Winchester 7.5mm Schmidt-Rubin 7.7mmx58 Japanese Arisaka 32 Winchester Special 32-40 Winchester 356 Winchester 357 Berrett 375 Winchester 38-55 Winchester & Ballard	<b>09205 #5</b> 348 Winchester <b>09206 #6</b> 22 Remington Jet 5.6mmx50 Rimmed 256 Winchester Magnum 357 Magnum 357 Remington Maximum 38 Smith & Wesson 38 Special <b>09207 #7</b> 30-30 Krag 303 British <b>09208 #8</b> 45 Auto Rim <b>09209 #9</b> 6.5mmx52 Carcano 6.5mmx54 Mannlicher-Schoenauer 35 Remington <b>09210 #10</b> 17 Remington 221 Remington Fine Ball 222 Remington 222 Remington Magnum 223 Remington (5.6mm) 7mm Thompson/Center Ugahle 380 Auto Pistol	<b>09215 #15</b> 6.5mmx50 Japanese Arisaka <b>09216 #16</b> 30 Lager (7.65mm Lager) 30 Mauser (7.65mm Mauser) 9mm Lager 9mm Makarov 9mmx21 9mmx23 Winchester 41 Action Express <b>09217 #17</b> 30 M1 Carbine 32 Auto (7.65mm Automatic) <b>09218 #18</b> 44 Magnum 44 Special <b>09219 #19</b> 30 Remington <b>09220 #20</b> 45 Colt 454 Casull <b>09221 #21</b> 303 Savage <b>09222 #22</b> 10.15mmx63R Serbian Mauser 11mm Mauser 13 Spanish 11.2mmx50R Krupatchek 11.4mmx50R Beaumont M71 44-77 Sharps 44-90 Sharps Bottleneck <b>09223 #23</b> 12 Harrington & Richardson Mag 12 Smith & Wesson, Long	<b>09224 #24</b> 375 Flanged 2.5 405 Winchester <b>09225 #25</b> 8mm Nambu <b>09226 #26</b> 7mmx65 Rimmed <b>09227 #27</b> 224 Weatherby Magnum 357 Sig. Auto 40 S & W 10mm Auto <b>09228 #28</b> 444 Marlin <b>09229 #29</b> 25 Automatic (25 ACP) <b>09230 #30</b> 41 Magnum <b>09231 #31</b> 50-70 U.S. Government <b>09232 #32</b> 7.62mmx39 22 PPC 6mm PPC <b>09233 #33</b> 50 Action Express <b>09234 #34</b> 6.5mmx68S 8mmx68S Magnum <b>09235 #35</b> 38-40 Winchester 44-40 Winchester <b>09236 #36</b> 45 Winchester Magnum <b>09237 #37</b> 416 Rigby <b>09238 #38</b> 45 Webley <b>09239 #39</b> 38 Colt Super Automatic  <b>Important:</b> The boxed numbers shown in the table indicate the following: [1] Shoulder angle of improved version. [3] Some Browning, DWM, Lapua, Norma, RWS and Sako cases require an RCBS #26 Shell Holder.
<b>09203 #3</b> 22-250 (22 Varminter) 240 Weatherby Magnum 243 Winchester 6mm Remington (244 Remington) 25-06 250 Savage (250-3000 Savage) 257 Roberts 257 Roberts Improved (40") [1] 6.5mm-06 6.5mmx57 270 Winchester 280 Remington (7mm Exp. Rem.) 284 Winchester 7mm Bench Rest Remington 7mm-08 Remington 7mmx57 Mauser (7mm Mauser) 7mmx64 Brencke 30-06 Springfield 300 Savage 308 Winchester 7.65mmx53 Mauser (Belgian) 8mm-06 8mmx57 Mauser (8mm Mauser) 35 Whelen 358 Winchester 9.3mmx62 Mauser 400 CorBon 45 Automatic (.45 ACP)	<b>09205 #5</b> 348 Winchester <b>09206 #6</b> 22 Remington Jet 5.6mmx50 Rimmed 256 Winchester Magnum 357 Magnum 357 Remington Maximum 38 Smith & Wesson 38 Special <b>09207 #7</b> 30-30 Krag 303 British <b>09208 #8</b> 45 Auto Rim <b>09209 #9</b> 6.5mmx52 Carcano 6.5mmx54 Mannlicher-Schoenauer 35 Remington <b>09210 #10</b> 17 Remington 221 Remington Fine Ball 222 Remington 222 Remington Magnum 223 Remington (5.6mm) 7mm Thompson/Center Ugahle 380 Auto Pistol	<b>09215 #15</b> 6.5mmx50 Japanese Arisaka <b>09216 #16</b> 30 Lager (7.65mm Lager) 30 Mauser (7.65mm Mauser) 9mm Lager 9mm Makarov 9mmx21 9mmx23 Winchester 41 Action Express <b>09217 #17</b> 30 M1 Carbine 32 Auto (7.65mm Automatic) <b>09218 #18</b> 44 Magnum 44 Special <b>09219 #19</b> 30 Remington <b>09220 #20</b> 45 Colt 454 Casull <b>09221 #21</b> 303 Savage <b>09222 #22</b> 10.15mmx63R Serbian Mauser 11mm Mauser 13 Spanish 11.2mmx50R Krupatchek 11.4mmx50R Beaumont M71 44-77 Sharps 44-90 Sharps Bottleneck <b>09223 #23</b> 12 Harrington & Richardson Mag 12 Smith & Wesson, Long	<b>09224 #24</b> 375 Flanged 2.5 405 Winchester <b>09225 #25</b> 8mm Nambu <b>09226 #26</b> 7mmx65 Rimmed <b>09227 #27</b> 224 Weatherby Magnum 357 Sig. Auto 40 S & W 10mm Auto <b>09228 #28</b> 444 Marlin <b>09229 #29</b> 25 Automatic (25 ACP) <b>09230 #30</b> 41 Magnum <b>09231 #31</b> 50-70 U.S. Government <b>09232 #32</b> 7.62mmx39 22 PPC 6mm PPC <b>09233 #33</b> 50 Action Express <b>09234 #34</b> 6.5mmx68S 8mmx68S Magnum <b>09235 #35</b> 38-40 Winchester 44-40 Winchester <b>09236 #36</b> 45 Winchester Magnum <b>09237 #37</b> 416 Rigby <b>09238 #38</b> 45 Webley <b>09239 #39</b> 38 Colt Super Automatic  <b>Important:</b> The boxed numbers shown in the table indicate the following: [1] Shoulder angle of improved version. [3] Some Browning, DWM, Lapua, Norma, RWS and Sako cases require an RCBS #26 Shell Holder.

# **RCBS**

**PRECISIONEERED<sup>®</sup> RELOADING EQUIPMENT**

*We think that we make the very best  
reloading equipment in the world.  
If you agree, please tell your friends.  
If you disagree, tell us - we want to do something about it!*

#### **Customer Service**

**1-800-533-5000 (US or Canada) or 530-533-5191**  
Hours: Monday - Friday, 6:30am - 4:00pm Pacific Time  
e-mail: [rcbstech@atk.com](mailto:rcbstech@atk.com) • [www.rcbs.com](http://www.rcbs.com)  
RCBS • 605 Oro Dam Blvd. • Oroville, CA 95965

CCI • SPEER • RCBS  
OUTERS • RAMLINE • ORBEX • FEDERAL

200573/0503